

MADRAS FERTILIZER LIMITED
(A GOVT. OF INDIA UNDRTAKING)
MANALI, CHENNAI 600 068

**NOTICE INVITING TENDER FOR
PROCUREMENT OF TROUGHING ROLLER & GUIDE ROLLER**

TENDER No. EPRO/MM/TROUGHING ROLLER/121217/210

Dated 22.11.2017

SUMMARY

Online bids are invited for Procurement of **TROUGHING ROLLER & GUIDE ROLLER**. Bidders, who are interested to submit bids, may visit MFL website www.madrasfert.nic.in ["Tenders" – "e-tenders"] or Central Public Procurement web www.eprocure.gov.in/eprocure/app Instructions for applying e-Tendering are given in **Annexure-1**.

For any clarification, please communicate to the following: **E-procurement cell**
email: epro@madrasfert.co.in / eprol@madrasfert.co.in

Description: TROUGHING ROLLER & GUIDE ROLLER	
Nature of Bidding	Two Stage Bidding : 1 st Part: Techno-Commercial Bid 2 nd Part: Price Bid
Commencement of viewing and downloading tender document from e-Tender Website	22.11.2017
Due date & Time for submission	12.12.2017@ 1600 HRS
Technical Bid Opening Date& time	13.12.2017 @ 1400 HRS (Next Day)
Bid Submission (To be uploaded on or before the due date and time)	Three Separate on-line bids (1) EMD (2) Techno-Commercial Bid and (3) Price Bid To be submitted with price break up details as per Annexure-4 on or before the date & time meant for submission of bids.
Procedure for opening of Online Bid	Bids will be opened in seriatim Techno-commercial and price bid.
Bid Validity	90 days from date of opening Techno – commercial bid
Price Bid Opening Date	Techno-Commercially qualified Tenderers only will be intimated
EMD	Rs.24,000/- in the form of DD / BG / RTGS

Security Deposit (SD)	5% of the Contract Value in the event of placement of award of contract.
Mode of Payment for SD / EMD	By Demand Draft in favour of Madras Fertilizers Ltd, payable at Chennai / RTGS / by Bank Guarantee (Annexures – 5, 6, 10, 11 & 12).
EMD BG Validity	135 days from the date of opening of tender
Payment Term	30 days Credit Payment thru RTGS from the date of receipt of material, subject to acceptance.
Delivery Period	Within 45 Days date of PO/LOI
Bid Evaluation Basis	Techno-Commercially qualified itemise L1 / R1 basis.
Specification & Quantity	Refer Annexure-2
LD Clause	Applicable as per NIT
Reverse Auction	Applicable as per NIT

**DGM –COMMERCIAL &MATERIALS MANAGEMENT
MADRAS FERTILIZERS LTD,
MANALI
CHENNAI - 600 068**

LIST OF ANNEXURES

Instructions for applying e-Tender	Annexure 1
Technical Bid / Specification	Annexure 2
Techno-Commercial Bid	Annexure 3
Model Price Bid Format	Annexure 4
EMD Terms and Conditions	Annexure 5
SD Terms and Conditions	Annexure 6
General Terms and Conditions- (Mandatory inclusion of GTC/STC)	Annexure 7
Tender Undertaking	Annexure 8
Information about Tenderer	Annexure 9
Format for EMD BG	Annexure 10
Format for SD BG	Annexure 11
Format for EMD / SD RTGS	Annexure 12
Format for RTGS	Annexure 13
List of Drawing	Annexure 14

ANNEUXRE-1**INSTRUCTIONS TO TENDERERS FOR APPLYING E-TENDER**

- 1.1 **Instructions to the Tenderers / Bidders for the e-submission of the bids online through the e-tender site of M/s National Informatics Center (NIC)**
- 1.1.1 Bidders should do the registration in the tender site <http://eprocure.gov.in/eprocure/app> using the option available (online bidder enrolment). Then the Digital Signature registration has to be done with the e-token, after logging into the site. The e-token may be obtained from one of the authorized Certifying Authorities such as nCode / eMudhra / safe script.
- 1.1.2 Bidder then need to login to the site through their user ID / password chosen during registration.
- 1.1.3 The e-token that is registered should be used by the bidder only and should ensure safety of the same.
- 1.1.4 The Bidders can update well in advance, the documents such as certificates, purchase order details etc., and these can be selected as per tender requirements and then send along with bid documents during bid submission.
- 1.1.5 After downloading / getting the tender schedules, the Bidder should go through them carefully and then submit the documents as asked, otherwise, the bid will be rejected.
- 1.1.6 If there are any clarifications, this may be obtained online through the tender site, or through the contact details. Bidders should take into account the Corrigendum published before submitting the bids online.
- 1.1.7 Bidder, in advance, should get ready the bid documents to be submitted as indicated in the tender schedule and they should be in .pdf / .xls / .jpeg / .rar formats only.
- 1.1.8 Bidder should submit the EMD as specified in the tender. The original should be posted / couriered / given in person to the Tender Inviting Authority, on any working day after e-publication of NIT and up to 3 working days after the last date of submission of bids. Scanned copy of the instrument should be uploaded as part of the offer along with Techno-Commercial bid.

- 1.1.9 It is construed that the bidder has read all the terms and conditions before submitting their offer including General Terms & Conditions (GTC) and Special Terms & Conditions (STC). GTC & STC can be accessed through Company's website.
- 1.1.10 The bidder has to submit the tender document online well in advance before the prescribed time to avoid any delay or problem during the submission process.
- 1.1.11 After the bid submission, (the bid token number) given by the e-tendering system should be printed by the bidder and kept as a record of evidence for online submission of bid for the particular tender.
- 1.1.12 The details of the Earnest Money Deposit document should be submitted physically to the Dept., and the scanned copy should be furnished at the time of bid submission online. They should be same otherwise the Tender will be summarily rejected.
- 1.1.13 The Tender Inviting Authority (TIA) will not be held responsible for any sort of delay or the difficulties faced during the submission of bids online by the bidders.
- 1.1.14 The tendering system will give a successful bid updation message after unloading all the bid documents submitted and then a bid summary will be shown with the bid number, date and time of submission of the bid with all other relevant details. The documents submitted by the bidders will be digitally signed using the e-token of the bidder and then submitted.
- 1.1.15 The bid summary has to be printed and kept as an acknowledgement as a token of the submission of the bid. The bid summary will act as a proof of bid submission for a tender floated and will also act as an entry point to participate in the bid opening date.
- 1.1.16 Bidder should log into the site well in advance for bid submission so that he submits the bid in time, i.e., on or before the bid submission end time. If there is any delay, due to other issues, bidder only is responsible.
- 1.1.17 Each document to be uploaded through online for the tenders should be less than 8 MB. However, if the file size is less than 8 MB, the transaction uploading time will be very fast. The total size of the documents in all the covers put together, should be less than or equal to 8 MB.
- 1.1.18 The bidder should see that the bid documents submitted should be free from virus and if the documents could not be opened, due to virus, during tender opening, the bid is liable to be rejected.

- 1.1.19 The time settings fixed in the server side and displayed at the top of the tender site, will be valid for all actions of requesting, bid submission, bid opening etc., in the e-tender system. The bidders should follow this time during bid submission.
- 1.1.20 All the data being entered by the bidders would be encrypted using PKI encryption techniques to ensure the secrecy of the data. The data entered will not be viewable by unauthorized persons during bid submission and not be viewable by any one until the time of bid opening. Overall, the submitted tender documents become readable only after the tender opening by the authorized individual.
- 1.1.21 The confidentiality of the bids is maintained since the secured Socket Layer 128 bit encryption technology is used. Data storage encryption of sensitive fields is done.
- 1.1.22 The bidders are requested to submit the bids through online e-tendering system to the TIA well before the bid submission end date & time (as per Server system clock).
- 1.1.23 The bidder should log out of the tendering system using the normal log out option available at the top right hand corner and not by selecting (X) exit option in the browser.
- 1.1.24 Bidders should ensure that prices should not be indicated anywhere in the un-priced part. The prices should be indicated only in the price bid and nowhere else.
- 1.1.25 Bidders to note that if prices are indicated in their un-priced Techno-Commercial part their offer will be rejected and NO further evaluation or communication will be entertained in this regard.
- 1.1.26 Bidders to note that the very act of using DSC for downloading the bids and uploading their offers shall be deemed to be a confirmation that they have read all sections of the pages of the bid document including General Conditions of Contract without any exception and have understood the entire document and are clear about the requirements of the tender requirements.

ANNEXURE - 2**SPECIFICATION****CONVEYOR ROLLERS**

1. ROLLER TROUGHING RUBBER LINED
114.3 MM DIA X 280 MM LONG AS PER 600 Nos. 25-0-34052
MFL DRG 2-75-265 REV 6 WITH
MFRS TEST CERTIFICATE

2. ROLLER, GUIDE RUBBER LINED
89 MM DIA X 180 MM LONG AS PER 100 Nos. 25-0-34060
MFL DRG 2-75-265-REV 6

Signature of the authorized person :

Name of the authorized person :

Designation of the authorized person :

Seal of the organization :

TECHNO-COMMERCIAL BID FORMAT
TENDER No. EPRO/MM/TROUGHING ROLLER/121217/210
Dated 22.11.2017

1	<u>Name of the Tenderer</u>	
2	<u>Address</u>	<u>E-mail</u> <u>Mobile:</u> <u>Land Line:</u>
3	<u>DETAILED TECHNICAL SPECIFICATION</u>	Furnished
4	<u>EMD Details (Rs.24,000/-in the form of DD/RTGS /BG (Annexure 5, 10& 12)</u>	
5	<u>Payment Term:</u> 30 days Credit Payment only from the date of receipt of material, subject to acceptance thru RTGS Transfer.	Accepted
6	<u>Delivery Period:</u> Within 45 days from the date of LOI / PO	Accepted
7	<u>Delivery Term – Free delivery</u>	Accepted
8	<u>Delivery Place</u> Stores, Madras Fertilizers Limited, Manali, Chennai 600 068	Accepted
9	<u>Packing & Forwarding charges</u>	Vendor's Account
10	<u>Freight & Insurance</u>	Vendor's Account
11	<u>Unloading at MFL</u> Tenderer must make arrangements for unloading the material at MFL Stores	Accepted
12	<u>Offer Validity:</u> 90 days from the date of opening of Tender	Accepted
13	<u>Security Deposit (Refer Annexures 6,11 & 12)</u> 5% in the event of placement of order by DD/RTGS/ BG	Accepted
14	LD clause (Refer Annexure- 7)	Accepted
15	All other terms & conditions in Annexure – 7	Accepted

Signature of the authorized person :
Name of the authorized person :
Designation of the authorized person :
Seal of the organization :

MODEL PRICE BID FORMAT**Tender NO. EPRO/MM/TROUGHING ROLLER/121217/210****Dated 22.11.2017**

Bidder's Ref No..... Dt.....

SL. No	Description	Qty Nos.	Basic Rate Per No. (in words & figures)	Total Basic Cost (Basic Rate per No. X Qty)
1	ROLLER TROUGHING RUBBER LINED 114.3 MM DIA X 280 MM LONG AS PER MFL DRG 2-75-265 REV 6 WITH. MFRS TEST CERTIFICATE. ARTICLE CODE: 25-0-34052	600		DO NOT QUOTE IN THIS FORMAT
2	ROLLER, GUIDE RUBBER LINED 89 MM DIA X 180 MM LONG AS PER MFL DRG 2-75-265-REV 6 ARTICLE CODE: 25-0-34060	100		
3	GST %			
4	GST (RS)			
5	Total Landed Value(Sl.No. 1d+2d+4d)			

NOTE:A separate price bid in excel format is attached. Bidders should quote the prices & statutory levies only in that format and to be uploaded.

Bidders should ensure that prices should not be indicated anywhere in the un-priced part. The prices should be indicated only in the price bid and nowhere else.

Bidders to note that if prices indicated in their un-priced Techno-Commercial part their offer will be rejected and no further evaluation or communication will be entertained in this regard.

Signature of the authorized person :
 Name of the authorized person :
 Designation of the authorized person :
 Seal of the organization :

EARNEST MONEY DEPOSIT (EMD) TERMS & CONDITIONS

- The tenderer shall submit the Earnest Money Deposit of Rs. **24,000/- (Rupees Twenty Four Thousand Only)** by way of demand draft drawn in favour of “Madras Fertilizers Limited” payable at Chennai or RTGS (**Annexure 12**) Or Bank Guarantee (BG) in the approved format (**Annexure 10**) valid for **45 days beyond the offer validity period of the bid.**
- In the case of EMD thru BG, Independent confirmation for having issued the BG by the concerned banker should be sent directly to DGM-Commercial & Materials Management, Madras Fertilizers Limited, Manali, Chennai 600 068.
- NSIC / DGS&D / MSMEs registered bidders seeking EMD exemption should enclose valid Certificate of such Registration. They should upload the relevant Certificate copy before the closing date and time of tender.
- EMD shall not carry any interest.
- EMD shall be returned / refunded to the Tenderers only after finalization of Tender.
- Offers without EMD or valid Certificates for exemption of EMD, will not be considered.
- EMD shall be forfeited if the tenderer withdraws from the offer or modifies the terms and conditions of offer, without prejudice to MFL’s rights to initiate other legal action, for losses, if any suffered by MFL, even after forfeiture of EMD.
- Unreturned EMD in respect of earlier tenders, if any, cannot be adjusted against this tender.

Tenderers who are submitting EMD payment in the form of **DD or BG / RTGS** should upload the scanned copy of the same on or before the Closing Date and Time of the Tender. The original EMD DD / BG should be directly sent to **DGM-Commercial & Materials Management, Madras Fertilizers Ltd., Manali, Chennai 600 068** with clear superscription on the cover as **“EMD For TENDER No AND DATE. (TO be received by MFL within 3 days)**

SECURITY DEPOSIT (SD) TERMS & CONDITIONS

- ❖ Successful tenderer shall have to make Security Deposit (SD) to the tune of 5% of contract value within 21 days from the date of LOI / Purchase Order, either by Demand Draft or RTGS (**Annexure 12**) or BG in the approved format (**Annexure 11**) with a validity of 60 days beyond the date of completion of the Purchase Order / delivery period. Independent confirmation for having issued the BG by the concerned bankers should be sent directly to DGM-C &MM, MADRAS FERTILIZERS LIMITED, Manali, Chennai 600 068.
- ❖ If the tenderer has previously held any contract and furnished SD, the same shall not be adjusted against this tender and a fresh SD shall be furnished. No adjustment towards SD of any means shall be accepted.
- ❖ The SD shall be refunded within a reasonable time after the date of completion of the supply period subject to the contractor carrying out all the obligations/operations as required per tender.
- ❖ Failure to pay SD shall be treated as failure to discharge the duties under the contract and shall result in cancellation of the offer of contract besides forfeiture of EMD.
- ❖ MFL reserves the right to appropriate any part or the whole of the amount of SD without prejudice to other claims against the contractor for losses suffered by MFL due to failure on the part of the contractor or due to termination of the contract or contractor becoming disqualified because of liquidation / insolvency or charge of composition. The decision of MFL in respect of such losses, damages, expenses; or costs shall be final and binding on the contractor and shall not be called into question
- ❖ In the event of the SD being insufficient or if the SD has been wholly forfeited, the balance of the total sum recoverable as the case may shall be deducted from any sum then due or which any time thereafter may become due to contractor under this or any other contract with MFL. Should that sum also be not sufficient to cover the full amount recoverable, the contractor shall pay to MFL on demand the balance amount due. Whenever the SD falls short of specified amount the contractor shall make good the deficit by DD or BG / RTGS so that the total amount of security deposit shall not at any time be less than the specified amount.
- ❖ SD shall be liable for forfeiture without prejudice to any other claims, in the event of breach of contract/failures by the contractor.
- ❖ SD shall not carry any interest.

ANNEXURE - 7**GENERAL TERMS & CONDITIONS****1. CONSTITUTION OF THE TENDER**

After submission of offer by any tenderer and if any contract is awarded to such tenderer based on such offer, from the date of offer and until compliance with all the contractual obligations the tenderer/contractor shall inform by Registered Post to DGM-Materials, Madras Fertilizers Ltd. Manali Chennai 600 068 within 24 hours any change in the composition of the tenderer/contractor and /or any re-constitution of the tenderer /contractor and/or any happenings like death / resignation of any partner / Director / member etc. in the tenderer/contractor organization. On receipt of such information MFL reserves the right either to consider the offer or reject the same and/or continue or terminate the contract, if any awarded to the tenderer.

The tenderer/contractor shall produce the self- attested copy of Power of Attorney granted in favour of the Signatory of the Tender and the Partnership Deed.

In the event of any dispute, Legal or other proceedings, by any party or parties concerning the constitution and/or composition and/or change in the tenderer/contractor's organization, MFL reserves the right to itself take such necessary action as it deems fit, including termination of the contract, withholding payments due to the Contractor.

The Contract if any, awarded to the tenderer/contractor shall be on the basis of 'Principal-to-Principal Contract' and the tenderer/contractor shall be deemed to be in an independent tenderer/contractor engaged for the performance of service / work / job in the manner and to the extent provided in these presents.

2. VOLUME

The quantity indicated in the tender is only tentative and the same is subject to revision. MFL reserves the right to increase or decrease the quantity during the contract period.

3. PRICE & TERMS OF DELIVERY

In the event of awarding the contract / PO to the tenderer, the ordered rate during the tenure of the contract will be firm. The rate quoted should be for delivery of the goods at our Manali Plant site including transportation and unloading charges.

4. INSPECTION & TESTING

Material supplied will be inspected and tested per procedure and the material not meeting with our specification will be rejected.

5. DELIVERY PERIOD

Within 45 days from the date of PO /LOI

6. **REJECTION**

All supplies should conform to specification as stipulated in **Annexure - 2**. Tenderer should ensure the quality before dispatching the consignment. If the material received is not conforming to our specification, the same shall be rejected.

7. **UNLOADING**

Tenderer will coordinate with MFL representative to unload the Materials at MFL Stores / Site as per MFL instructions.

8. **MFL SAFETY RULES & REGULATIONS**

Tenderer shall adhere to MFL Safety Rules and Regulations during supply of Material. Smoking inside the factory premises is strictly prohibited.

9. **TERMS OF PAYMENT**

Payment will be made on **30 days Credit Payment** basis from the date of receipt of material, subject to acceptance. **Tenderer to quote only for credit payment offering a credit period of 30 days.**

Offers with any other payment term such as “payment thru Proforma Invoice” or “payment against documents thru bank” or “payment thru letter of credit” etc., **will be summarily rejected.**

Bills have to be drawn on JGM-CA, Madras Fertilizers Limited, Manali, Chennai 600 068. Bills submitted should be duly supported by proof of delivery.

Bills should be clearly marked with MFL Purchase Order No. and date and the tenderer's DC No. and Date.

Payment will be made only thru RTGS, after reckoning the credit period from the date of receipt of bills at MFL for the accepted material.

RTGS Form (**Annexure 13**) to be filled in, signed & sent along with the offer by the Tenderer to avoid any delay in processing payment

10. **SUBLETTING & TRANSFER**

Tenderer shall be solely responsible for rendering any or all the services. He shall not subject / transfer / assign the contract or any part thereof to others. All their dealing with third parties shall be without reference to MFL.

11. **CANCELLATION OF ORDER**

Failure to comply with specification, terms & conditions or to perform or deliver as promised shall entitle the Purchaser to cancel all or any part of this order. In the event of such cancellation, the Purchaser shall not be required to make any payment on such cancelled items. Nothing herein shall limit the Purchaser's right in the event of the failure to perform by the Seller.

12. **SUMMARY TERMINATION**

MFL reserves the right to terminate the supply contract due to any failure/breach on the part of the tenderer in discharging the services under the contract, or in the event of vendor becoming insolvent or going into liquidation. The decision of Madras Fertilizers Limited about the breach/failure on the part of the tenderer shall be final and binding on the tenderer.

MFL shall also have, without prejudice to any other rights and remedies, the right in the event of breach/failure by the tenderer of any of the terms and conditions of the Supply, or due to the tenderer's inability to perform as agreed for any reason whatsoever, to terminate the supply contract forthwith and get the supplies at the risk and cost of the tenderer and recover the losses, damages, expenses or costs that may be suffered or incurred by MFL. The decision of Madras Fertilizers Limited about the losses, breach/failure on the part of the tenderer shall be final and binding on the tenderer and shall not be called into question.

13. **LAWS GOVERNING THE CONTRACT**

Contract will be governed by Laws of India for the time being in force and as amended from time to time and the Courts within whose jurisdiction the Registered Office of the Company is situated alone will have jurisdiction.

14. **DEFINITION**

The term "Tender" shall mean & include the online bids and other attachments uploaded while submitting the bids online.

"Tenderer" shall mean and include those entering into agreement with MFL, their Heirs, Representatives, Executives, Administrators, Successors and their permitted assignees, as the case may be.

"Services" shall mean and include all items of work duties / responsibilities of the Tenderer and / or any other item of work not specified but consistent with general terms of the contract and entrusted by MFL.

15. **FORCE MAJEURE**

The terms and conditions of the orders shall be subject to force majeure. Neither seller nor MFL shall be considered in default of its obligation under this contract, if such performance is prevented or delayed because of war, hostilities, revolution, civil commotion, sabotage, strikes, lock outs, fires, floods, explosions, epidemics, accidents, freight embargoes on export or import to India, Acts of God, Acts of Government, should one or both parties be prevented from fulfilling their actual obligations by the state of force majeure lasting continuously for a period of 3 months the two parties should consult each other regarding future implementation of the contract.

Tenderer shall promptly notify the Purchaser in writing of such conditions and the cause thereof within twenty on days of occurrence of such event. Unless otherwise directed by the Purchaser in writing the Seller shall continue to perform its obligations under the contract as far as reasonably practical, and shall seek all reasonable alternative means for performance not prevented by the Force Majeure event.

16. **ARBITRATION**

Any or all disputes arising out of the contract / agreement shall be settled by mutual discussions and in the event of failure to do so, such dispute (s) shall be referred to a sole arbitrator, who will be appointed by mutual consent for settlement of such dispute (s) and whose decision shall be final and binding. In the event of failure to appoint such a sole arbitrator, with mutual consent, then the sole arbitrator will be appointed through the high court of judicature at Madras. Subject as aforesaid, the arbitration and conciliation act 1996 shall apply to the arbitration proceedings under this clause and such arbitration shall be in English and take place in the city of Chennai, Tamil Nadu.

17. **LIQUIDATED DAMAGES (LD Clause)**

In the event of placement of order on the successful tenderer, timely execution of the order per purchase order terms and delivery of the items within the delivery period as stipulated in the purchase order is very important. If the items are not delivered on or before the delivery date specified in the purchase order MFL reserves the right either to reject the material if supplied subsequently, or to receive the material subject to imposition of penalty at the rate of 0.5% of the invoice value for every week of delay or part thereof from the specified date of delivery subject to a maximum of 5% of the purchase order value (PO Value includes Basic Order value + applicable Statutory Levies and Freight & Transit Insurance charges (if applicable)). LD Clause is applicable for the part of the quantity, which is delivered late.

18. **REVERSE AUCTION AND / OR NEGOTIATION**

Reverse auction: Applicable where there is more than 1 techno-commercially qualified bid.

Negotiation: Applicable in the following circumstances:-

Where there is only one techno-commercially qualified bid

Where there are more than 1 techno-commercially qualified bid & where reverse auction is conducted but no competitive bids in reverse auction, negotiation with item-wise L1 vendor.

Notwithstanding anything mentioned above, MFL reserves the right to go in for Reverse Auction process and/or negotiation, if required or may finalize the tender without Reverse Auction and/or negotiation. However, the decision, if any to conduct Reverse Auction will be conveyed to short-listed bidders. Business Rules for Reverse Auction will be circulated, if Reverse Auction is necessary and the same needs to be accepted and signed by the technically shortlisted bidder.

18. H1 ELIMINATION

MFL requires minimum of 5 bidders for H1 Elimination

After opening the price bids, the H1 bidder / bidders will be eliminated only if the minimum number of eligible bidders for Reserve Auction is 5

Example Conditions:

Condition – 1

No. of bidders 6
 H1 bidders 3 (highest quoted bidders with same rates)
 (Eligible bidders for Reverse Auction of H1 elimination carried out would be 3)

Hence no H1 elimination would be carried out and all the 6 parties would be allowed to participate in the Reserve Auction.

Condition – 2

No. of bidders 10
 H1 bidders 4 (highest quoted bidders with same rates)
 (Eligible bidders for Reverse Auction of H1 elimination carried out would be 6)

Hence all the H1 bidders (4 bidders) would be eliminated and the remaining 6 bidders would be allowed to participate in the Reverse Auction.

19. Bidders will be educated by our Service Provider before conducting Reverse Auction.

20. EVALUATION BASIS:

The price bids of tenderers qualified in the techno-commercial bid alone will be considered for price evaluation and arrival of cost and selection will be on Techno-Commercially qualified item-wise “R1” basis if Reverse Auction is conducted. Techno-Commercially qualified item-wise “L1” basis if Reverse Auction is not conducted.



SPECIAL TERMS & CONDITIONS

1. Conditional offers will not be considered.
2. Rate quoted should be valid for a period of 90 days from the date of opening of Bids. Other commercial terms should be kept firm till the completion of the contract / execution of the purchase order, except statutory levies. Revision, if any, in the statutory levies will be applicable, subject to adherence to other commercial terms like “delivery period”, etc.
3. In the event of placing the order, the tenderer should strictly adhere to the delivery date and should accept to deliver the ordered items on or before the delivery date as mentioned in the purchase order or as advised by MFL
4. Any unsolicited letter / fax / e-mail on price / other terms revision will not be entertained and such tenderers are liable to be disqualified from tender.
5. Any offer received against this tender from sister / associate concern and/or offers received after the due date will be summarily rejected
6. Canvassing in any form is strictly prohibited and the tenderers who resort to canvassing in any form shall be disqualified.
7. MFL will not be bound by any general/printed provisions of Tenderer's offer.
8. Tenderer should clearly indicate the % of GST wherever applicable.
9. MFL shall have the right to inspect and test goods at any time and to reject unacceptable goods. The tenderer shall arrange collection of the rejected materials from MFL at his cost.
10. Notwithstanding purchaser's acceptance or right to inspection and / or any other terms and conditions provided in the purchase order, tenderer warrants that all goods supplied hereunder are free from any defects in design materials and workmanship and that they fully comply with the specifications. Purchase order will be issued in reliance on the aforementioned warranty of the tenderer.
11. Demurrage, other expenses incurred owing to the tenderers not complying with the purchaser's instruction will be to the tenderer's account.
12. The enquiry shall not be assigned to anybody by the tenderer without obtaining the prior written consent of MFL.
13. Tenderer warrants that the goods described herein, and sale or use of them will not infringe any patent and tenderer covenants that he will defend at his own cost and expense every act which may be brought against the purchaser or against those

selling or using the purchaser's products for any alleged infringement of any patent by reason of the sale or use of such articles and tenderer agrees to pay all costs, damages, liens and profits recoverable in any such action.

14. Eligible NSIC registered Micro, Small & Medium Enterprises (MSMEs) participating in this tender and quoting price within L1 + 15% may be considered at the sole discretion of MFL. Such bidders may be allowed to supply up to 20% of the Purchase Order value if they are prepared to bring down the price equal to or less than the L1 price quoted by the Non MSMEs and where it is feasible to place Order on more than one vendor by splitting the quantity.
15. MFL reserves the right to accept or reject any or all the tenders or any part thereof without assigning any reason whatsoever.



TENDERER UNDERTAKING**THE TENDERER HEREIN**

- Agrees, accepts and abides by all the terms, conditions and covenants of the tender having read and understood the tender documents in full including the specification, scope of work, instructions, forms, annexures, terms & conditions etc.
- Confirms and acknowledges that the bids placed by the tenderer are true, accurate & with the best knowledge of the tenderer
- Confirms that awarding of the contract/purchase order based on the bids of the tenderer is the sole discretion of MFL
- Undertakes to honour the bid(s), which is legally binding on, if the contract/purchase order is awarded to the tenderer.
- Accepts EMD, SD & Liquidated Damages clauses and agrees to invocation of the respective clause(s) in case of non-fulfillment of commitment.
- Declares that M/s NIC provided the training to participate in e-Tender.
- Agrees to accept any changes, if any, to the tender that may be made subsequently after releasing the tender, but before the last date meant for submission of bids, with respect to specification, last date for bid submission and/or any other clauses/terms of the tender.
- Agrees to update any changes made the tenders & subsequent corrigendum from the e-Tendering portal of M/s NIC.

Signature of the authorized person :

Name of the authorized person :

Designation of the authorized person :

INFORMATION ABOUT TENDERER

Sl. No.	Information Required	To be Filled in by Tenderer
1	Name of the Tenderer	
2	Address of Registered Office and Branches	
3	Telegraphic Address and Phone Number, Fax Number, Email ID etc.	
4	GST Registration No.	

FORMAT FOR BANK GUARANTEE FOR FURNISHING EMD

Whereas (herein after called the ‘tenderer’) has submitted their offer datedfor the supply of (hereinafter called the “tender”) against the purchaser’s tender enquiry No..... KNOW ALL MEN by these presents that WE ofhaving our registered office at are bound unto Madras Fertilizers Limited (hereinafter called the “Purchaser”) in the sum of Rupees for which payment will and truly to be made to the said Purchaser, the Bank binds itself, its successors and assigns by these presents. Sealed with the Common Seal of the said Bank this day of 20.....

THE CONDITIONS OF THIS OBLIGATION ARE:

- 1 If the tenderer withdraws or amends, impairs or derogates from the tender in any respect within the period of validity of this tender.
- 2 If the tenderer having been notified of the acceptance of his tender by the Purchaser during a period of its validity:-
 - a) If the tenderer fails to furnish the Performance Security for the due performance of the contract.
 - b) Fails or refuses to accept /execute the contract.

WE undertake to pay the Purchaser up to the above amount upon receipt of its first written demand, without the Purchaser having to substantiate its demand, provided that in its demand the Purchaser will note that the amount claimed by it is due to it owing to the occurrence of one or both the two conditions, specifying the occurred condition or conditions.

This guarantee will remain in force up to and including 45 days after the period of tender validity and any demand in respect thereof should reach the Bank not later than the above date.

.....
(Signature of the authorized officer of the Bank)

.....
.....

Name and designation of the officer

.....

Seal, name & address of the Bank and address of the Branch.

BANK GUARANTEE FOR FURNISHING SECURITY DEPOSIT

In consideration of the Madras Fertilizers Limited, Manali, Chennai 600 068 (Hereinafter called "the Company") having agreed to exempt _____(hereinafter called "the said Contractor (s)") from the demand under the terms and conditions of an agreement dated _____, Purchase Order No. _____ dated _____ made between Madras Fertilizers Limited and _____ for supply of _____ (hereinafter called "the said agreement") of a Security Deposit for the due fulfillment by the said contractor(s) of the terms and conditions contained in the said agreement, on production of Bank Guarantee for Rs. _____ (Rupees _____). We _____(Hereinafter referred as "Bank") at the request of _____ do hereby undertake to pay to the company an amount not exceeding Rs. _____ (Rupees _____) against any loss or damage caused to or suffered or would be caused to or suffered by the Company by reason of any breach by the contractor(s) of any of the terms and conditions contained in the said agreement.

We ___ (bank) _____ do hereby undertake to pay the amounts due and payable under this guarantee without any demur, merely on a demand from the company stating that the amount claimed is due by way of loss or damage caused to or would be caused to or suffered by the company by reason of any breach by the said contractor(s) of any of the terms or conditions contained in the said agreement or by reason of the contractor(s) failure to perform the said agreement. Any such demand made on the bank shall be conclusive as regards the amount due and payable by the bank under this guarantee. However, our liability under this guarantee shall be restricted to an amount not exceeding Rs. _____ (Rupees _____). We undertake to pay to the company any money demanded notwithstanding any dispute raised by the contractor(s) / tenderer(s) in any suit or proceeding pending before any court or tribunal relating thereto liability under this present being absolute and unequivocal. The payment so made by us under this bond shall be a valid discharge of our liability for payment there under any contractor(s)/tenderer(s) shall have no claim against us for making such demand.

We _____(Bank)_____ further agree that the guarantee herein contained shall remain in full force and effect during the period that would be taken for the performance of the said agreement and that is shall contained to be enforceable till all the dues of the company under or by virtue of the said agreement have been fully paid. And its claim satisfied or discharge or till the company certifies that the terms and conditions of the said agreement have been fully and properly carried out by the said contractor(s) and accordingly discharges this guarantee. Unless a demand or claim under this guarantee is made on us in writing on or before __ (date) _____. We shall be discharged from all liability under this guarantee thereafter. We _____(bank)_____ further agree with the company that the company shall have the full cut liberty without our consent and without affecting in any manner or obligation hereunder to vary any of the terms and conditions of the said agreement or to extend time of performance by the said contractor(s) from time to time or to ;postpone for any time or from time to time any of the powers exercisable by the company against the said contractor(s) and forbear or enforce any of the terms and conditions relating to the said agreement and we shall not be relieved from our liability by reason of any such variation or extension being granted to the said contractor(s) or for any forbearance or omission on the part of the company or any indulgence by the company to the said contractor(s) or by any such matter or thing whatsoever which under the law relating to sureties would, but for this provision have effect or so relieving us. This guarantee will not be discharged due to the change in the constitution of the bank or the contractor(s)/tenderer(s).

We, _____(bank)_____, lastly undertake not to revoke this guarantee during its currency.

Notwithstanding anything contained this bank guarantees our liability under this guarantee is restricted to Rs._____ (Rupees _____). Our guarantee shall remain in force until _____ and unless a demand or claim under this guarantee is received by us in writing on or before _____, all your rights under the said guarantee shall be forfeited and we shall be deemed relieved and discharged from all liabilities there under.

The beneficiary is bound to seek confirmation from the Regional Office whose address is mentioned below in respect of the geniuses and authenticity of the Bank Guarantee.
 (Signature of the authorized officer of the Bank) -----

Name and designation of the officer

Seal, name & address of the Bank and address of the Branch

ANNEXURE 12

**MADRAS FERTILIZERS LIMITED
MANALI, CHENNAI - 600 068**

MANDATE FOR ELECTRONIC FUND TRANSFER THROUGH RTGS / NEFT

1.	Party Name	MADRAS FERTILIZERS LTD
2.	Party's complete address and Phone no.	MANALI CHENNAI 600 068
3.	Bank Name	STATE BANK OF INDIA
4.	Bank Branch Name and Address with Phone.No.	COMMERCIAL BRANCH NSC BOSE ROAD CHENNAI 600 001
5.	IFS (RTGS / NEFT) Code	SBIIN0007347
6.	Name of the beneficiary	MADRAS FERTILIZERS LTD.
6.	Bank Account No.	10242276424
7.	Account Type CC A/c (Saving / Current) (SA/CA)	CC ACCOUNT
8.	Email ID	ins@madrasfert.co.in
9.	PAN Number	AAACM5198E
10.	Contact Person	PRIYA RANJAN PANDA
11.	Contact Person mobile No.	9884172251

CERTIFICATE

We MFL, having our branch at SBI-CB have verified and certify that the information provided in SL Nos. 1 to 7 are correct per our records.

Signature of the authorized
Official from the Bank with seal

Encls: Cancelled / copy of cheque leaf

V. CHANDRAMOULI
CHIEF MANAGER,
CORPORATE ACCOUNTS & TAXATION,
MADRAS FERTILIZERS LIMITED,
MANALI, CHENNAI-600 068.

PRIYA RANJAN PANDA
DEPUTY GENERAL MANAGER-FINANCE,
MADRAS FERTILIZERS LIMITED
MANALI, CHENNAI-600 068.



भारतीय स्टेट बैंक
State Bank Of India
(07347) COMMERCIAL BRANCH CHENNAI
BOMBAY HOUSE BUILDING
125, SOLE ROAD, CHENNAI 600001
IFS Code: SBIN007347

केवल 3 महीने के लिए वैध / VALID FOR 3 MONTHS ONLY
D D M M Y Y Y Y

PAY

को या उसके आदेश पर OR ORDER

रुपये RUPEES

अदा करे ₹

आ. नं.
Ac No. 10242276424

VALID FOR Rs. 50.00 Lacs & UNDER

FOR MADRAS FERTILISERS LTD

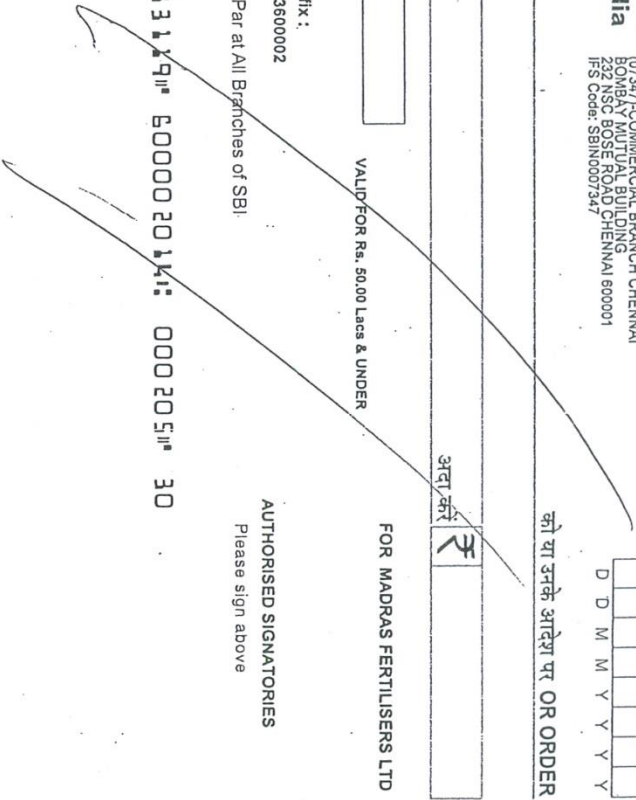


Prefix :
0523600002

MULTI-CITY CHEQUE Payable at Par at All Branches of SBI

AUTHORISED SIGNATORIES
Please sign above

183189 600002014 000205 30



MADRAS FERTILIZERS LIMITED
BANK DETAILS & AUTHORISATION FOR RTGS/NEFT PAYMENT

REQUIRED DETAILS	TO BE FURNISHED BY THE VENDOR		
VENDOR NAME			
ADDRESS			
TELEPHONE NO.		FAX No.	
EMAIL ID			
CONTACT PERSONS'S NAME		Designation :	
MOBILE NO.			
EMAIL ID			
COMPANY'S PAN NO.			
IMPORT EXPORT CODE			
BANK ACCOUNT NO.			
VENDOR'S BANK NAME			
BANK ADDRESS / PHONE NO.			
VENDOR'S BANK CODE (MICR) NO.		GRPT CODE	
VENDOR'S BANK ACCOUNT NO.		NEFT CODE	
		RTGS CODE	
BANK SWIFT CODE (For foreign vendors)			
	Type of Account	Saving Acct / Current Acct. (Strike out which is not applicable)	
ARE YOU A	Manufacturer YES / NO	Dealer YES / NO	Agent YES / NO
CATEGORY OF THE FIRM	A. Micro	B. Small	C. Medium
REGISTERED WITH NUMBER	GST	SSI	OTHERS

We hereby authorize Madras Fertilizers Limited to make all the payments due to us with respect to above referred Enquiry through RTGS/NEFT Transfer

Place:

Signature of Authorized Signatory:

Date:

Name:

SEAL:

Designation:

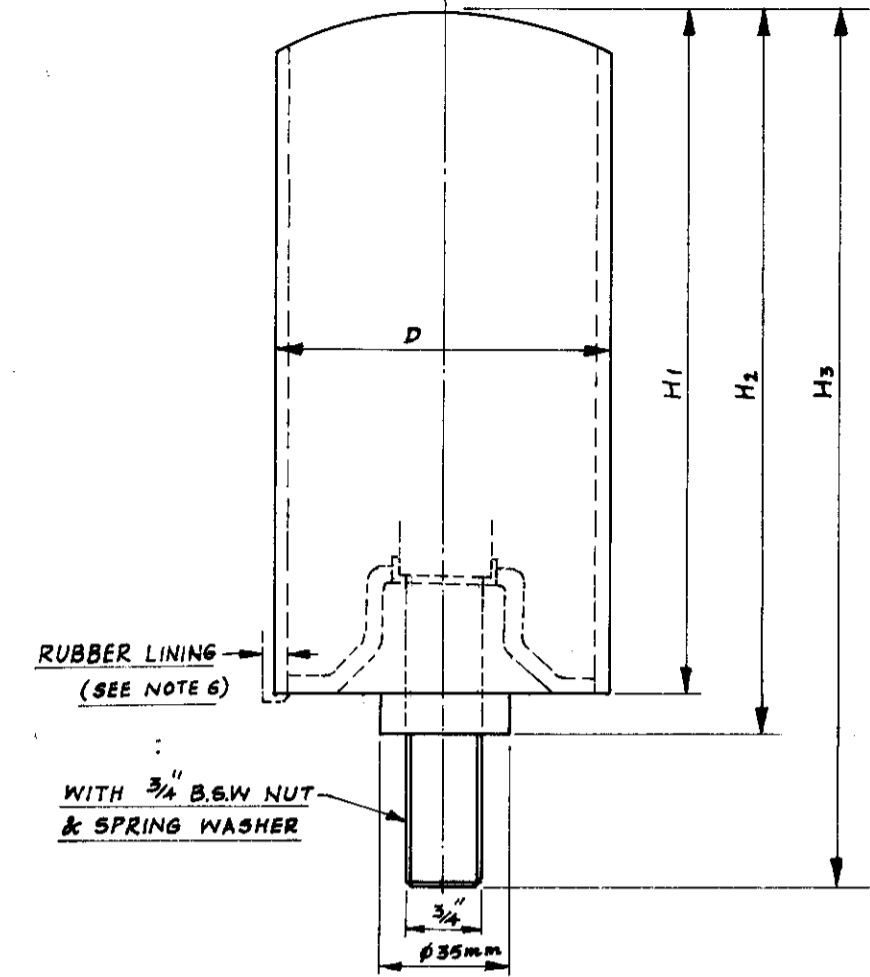
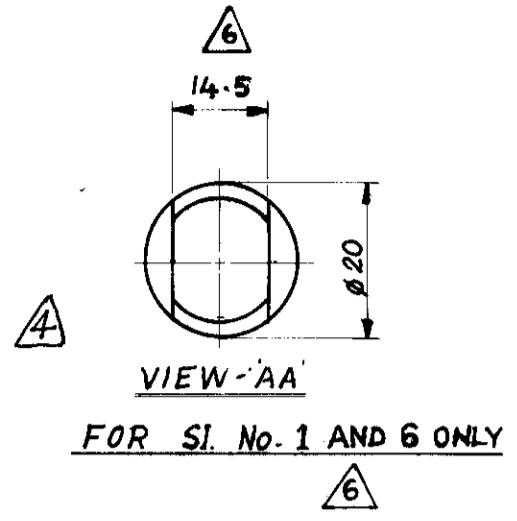
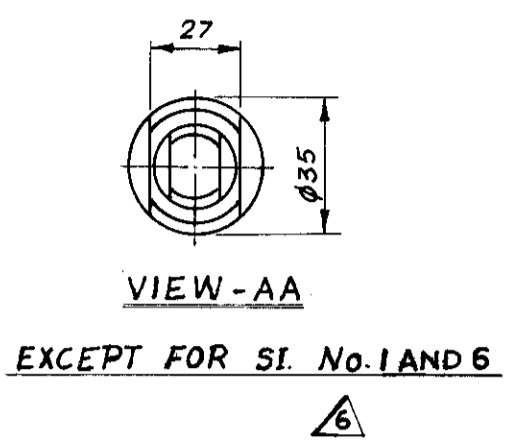
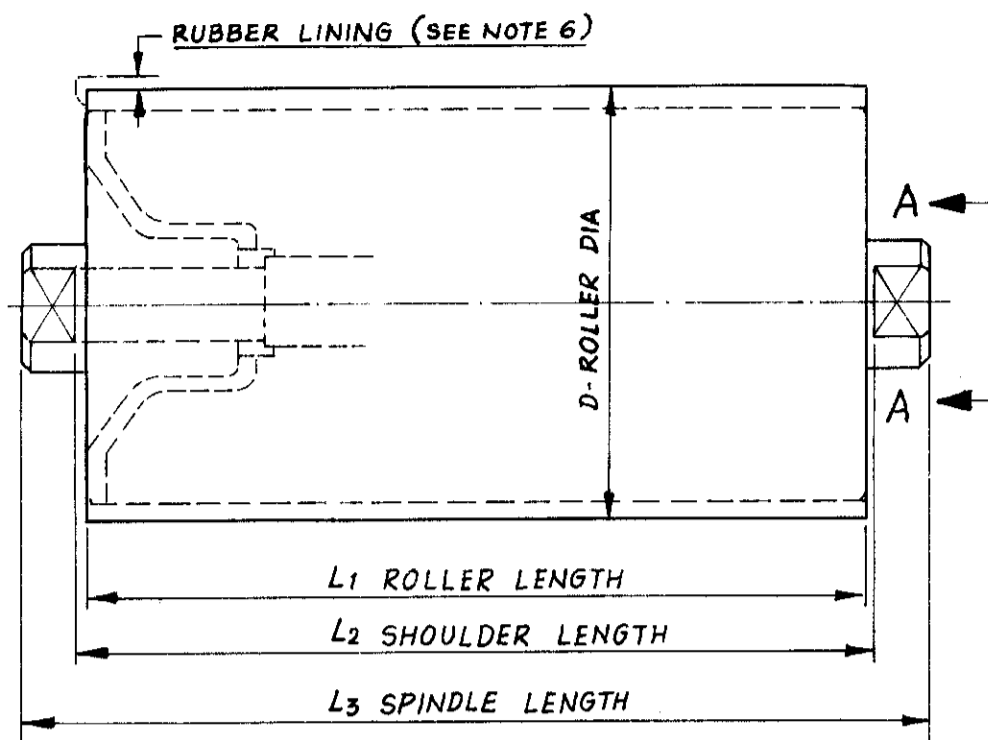
(To be filled by MFL in case of ordering)

MFL Purchase Order No.	
------------------------	--

RTGS-Real Time Gross Settlement Code NEFT-National Electronic Funds Transfer
 IFSC- Indian Financial System Code.

ANNEXURE - 14**LIST OF DRAWING**

ITEM DESCRIPTION	DRAWING NO.
1. ROLLER TROUGHING RUBBER LINED 114.3 MM DIA X 280 MM LONG AS PER MFL DRG 2-75-265 REV 6 WITH MFRS TEST CERTIFICATE	2-75-265
2. ROLLER, GUIDE RUBBER LINED 89 MM DIA X 180 MM LONG AS PER MFL DRG 2-75-265-REV 6	25-75-265



TROUGHING & CARRYING ROLLERS

SL.NO.	DESCRIPTION	ART. CODE NO	D mm	L ₁ mm	L ₂ mm	L ₃ mm	RUBBER LINING YES / NO
1	TROUGHING ROLLER	25.0.34052	114.3	280	288	314	YES
2	CARRYING ROLLER	25.0.34070	88.9	850	860	884	YES
3	RETURN ROLLER	25.0.34130	140	700	710	734	NO
4	TROUGHING ROLLER	25.0.34150	140	235	238	264	YES
5	TROUGHING ROLLER	25.2.16050	114.3	280	290	314	YES
6	CARRYING ROLLER	25.0.34108	88.9	700	710	734	YES
7	RETURN ROLLER	25-2-34200	140	825	835	860	NO

GUIDE ROLLER

SL.NO.	DESCRIPTION	ART. CODE NO	D	H ₁	H ₂	H ₃	RUBBER LINING YES/NO	SHORE HARDNESS
1	GUIDE ROLLER	25.0.34060	89 mm	180 mm	190 mm	250 mm	YES	A SCALE-65

NOTES:-

- ROLLER BODY TO BE FROM QUALITY ERW - CLASS C PIPE.
- BEARING HOUSING TO BE FROM DEEP DRAWN CRCA. STEEL WITH CLOSE TOLERANCES TO ENSURE PROPER ASSEMBLY OF BEARING, SEALS ETC.
- PROVEN MULTY-LABYRINTH SEALING ARRANGEMENT TO KEEP MOISTURE & VERY FINE DUST AWAY (NOTE THE SERVICE CONDITIONS IN OUR PLANT ARE HIGHLY DUSTY AND CORROSIVE), A RAIN CAP ON THE EXTREME OUTSIDE OF THE ROLLER TO ARREST WATER ENTERING ALONG SIDE OF THE SHAFT AND A BACK SEAL TO PREVENT GREASE ESCAPING TO THE ROLLER ARE REQUIRED.
- ROLLER SHAFT TO BE MADE FROM M.S. ROD PREFERABLY BRIGHT DRAWN STEEL
- BEARINGS, LABYRINTH AND SEAL CHAMBERS ARE TO BE FACTORY GREASED WITH HIGH GRADE GREASE SO THAT SUBSEQUENT GREASING IN THE FIELD NEED NOT BE DONE. SEIZE RESISTANT BALL BEARINGS (NO: 420204) MUST BE FITTED
- SEAMLESS NATURAL RUBBER LINING WHEREVER MARKED TO BE DONE TO A THICKNESS OF 6mm ± 1mm TO SHORE HARDNESS A 60 TO 65 EMPLOYING THE BEST MATERIALS & METHODS.
- ALL PARTS EXPOSED TO ATMOSPHERE SHOULD BE COATED TWICE WITH EPOXY PAINT TO ARREST CORROSION.
- THE MINIMUM SERVICE OFFERED SHOULD BE 12 MONTHS FROM THE DATE OF PUTTING INTO SERVICE OR 18 MONTHS FROM THE DATE OF SUPPLY.
- A SKETCH/CATALOGUE SHOWING THE ABOVE FEATURES SHOULD BE ENCLOSED ALONG WITH THE OFFER.

THIS SUPERSEDES DRG NO 3-30-339

PART NO.	DESCRIPTION	NO REQD.	MATERIAL	SPEC.	REMARKS

REV. NO.	REVISIONS	DATE	REVISED BY	CHECKED BY
6	DIMENSIONS OF L ₁ , L ₂ , L ₃ CHANGED FROM 235, 238 & 264, IN VIEW AA DIMENSION CHANGED FROM 13 AND REVISIONS MARKED DONE.	07-03-01	J. SATHESH.	<i>[Signature]</i>
5	SEIZE RESISTANT BALL BEARINGS ADDED	15-12-92	S. Anandan	<i>[Signature]</i>
4	SHORE HARDNESS DETAIL ADDED AND VIEW-AA FOR SI. No. 6 DRAWN	17-1-89	P. JUDE	<i>[Signature]</i>
3	SHORE HARDNESS A 60 TO 65 WAS D 60 TO 65	29-6-88	K. VIVANATHAN	<i>[Signature]</i>
2	ADDED COLUMN NO: 7	3-12-82	P. M. RAO	<i>[Signature]</i>
1	NATURAL RUBBER WAS NEOPRENE RUBBER REF: KMR/SR250/81.	22-7-81	<i>[Signature]</i>	<i>[Signature]</i>

DEPT.	SIGNATURE	DATE

CONCURRENCE

UNSPECIFIED TOLERANCES AS PER IS 696-1972. ALL DIMENSIONS ARE IN MM UNLESS OTHERWISE SPECIFIED.

SMOOTH UNMACHINED SURFACE.
SMOOTH UNMACHINED OR ROUGH MACHINED SURFACE
ROUGH MACHINED TO RMS 6.3 MICRONS.
FINE MACHINED TO RMS 3.2 MICRONS.
VERY FINE MACHINED TO RMS 1.6 MICRONS.

MADRAS FERTILIZERS LTD. MADRAS-68

PLANT	EQPT.	PROJ.	
DRAWN DATE S. Sathish 25-7-80	ROLLERS FOR BELT CONVEYORS		SCALE -
CHECKED DATE <i>[Signature]</i>	APPROVED DATE <i>[Signature]</i>		REF. DRG. DRG. No. 2-75-265